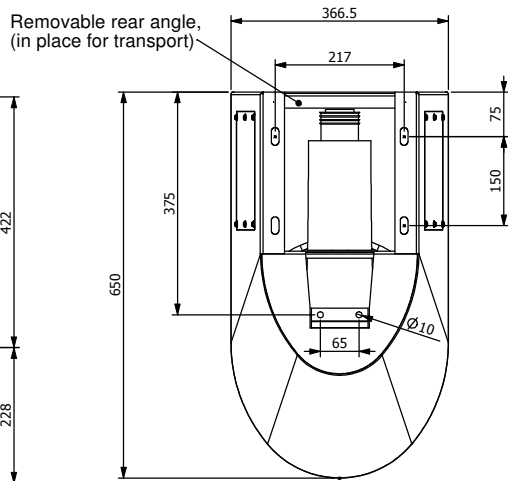
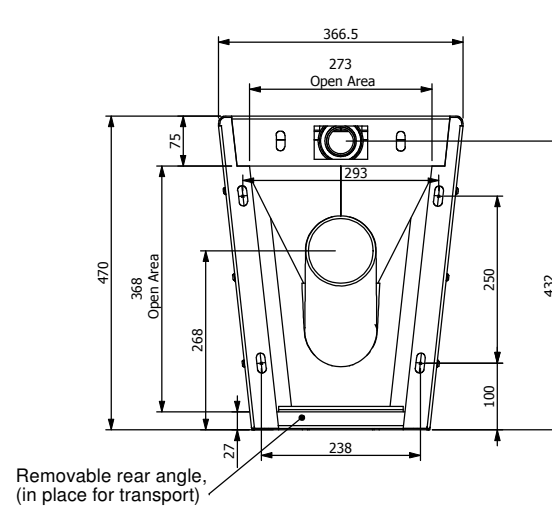


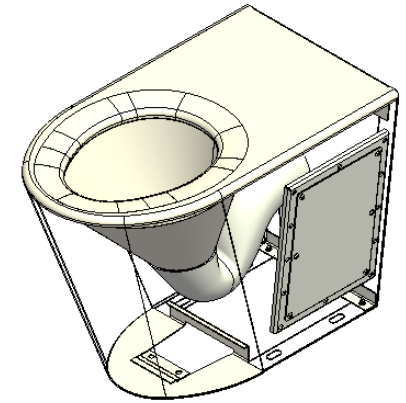
PLAN VIEW



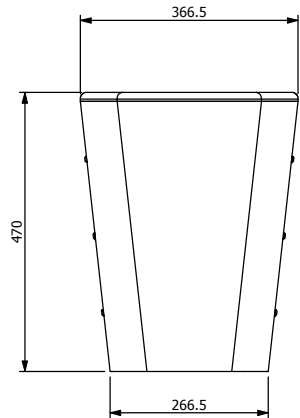
UNDERSIDE VIEW



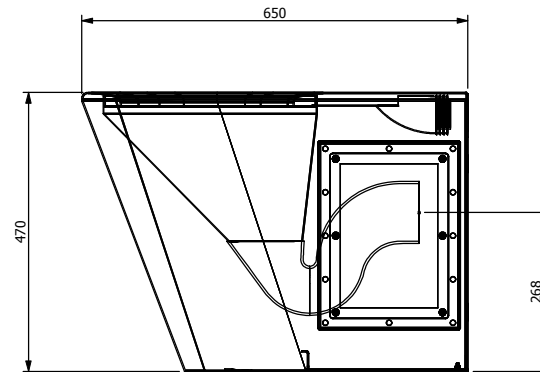
REAR VIEW



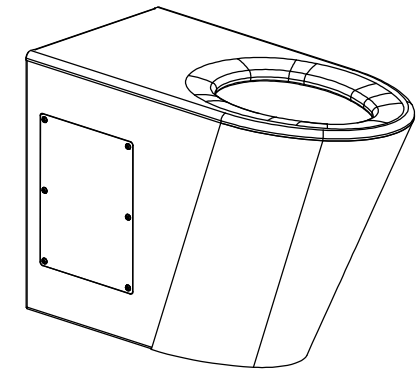
ISOMETRIC VIEW  
(Showing Base Fixing Lug)



FRONT VIEW



END VIEW



ISOMETRIC VIEW

REVISION TABLE

REV.	REVISED BY	DATE	REVISION DESCRIPTION	STATUS
A		10/08/2011		For Manufacture



**STODDART  
MANUFACTURING**

TOM STODDART Pty Ltd ACN 009 690 251  
149 Jackson Rd Sunnybank Hills Qld 4109  
PO Box 420 Sunnybank Qld 4109  
Phone (617) 3345 5011 Fax (617) 3344 1000  
Email sunnybank@stoddart.com.au

*Quality in stainless steel*

DRAWN: J Pickels				DATE: 10/02/2010	UNLESS OTHERWISE SPECIFIED: DIMENSIONS ARE IN MILLIMETERS	PART No: <b>SPPL-TP-WF-3-D-S-BSA-650-VAR Rev A</b>
APPVD:				MATERIAL:		DESCRIPTION: Stainless Toilet Pan
Weight: 22.58 kg Surface Area: 2.90 M2					THICKNESS:	DWG No: <b>SPPL-TP-WF-3-D-S-BSA-650-VAR Rev A</b>
DO NOT SCALE DRAWING					FINISH:	Sheet 1 of 17