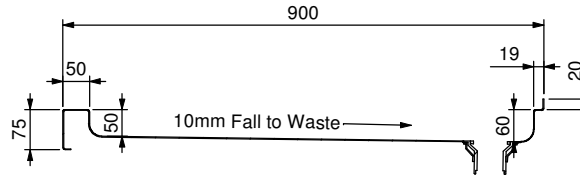
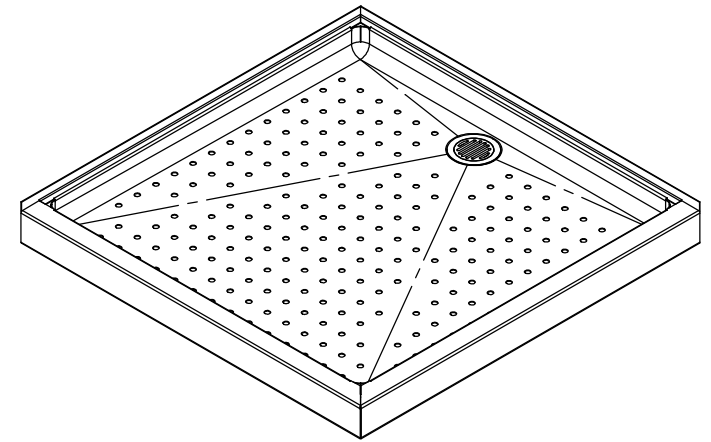


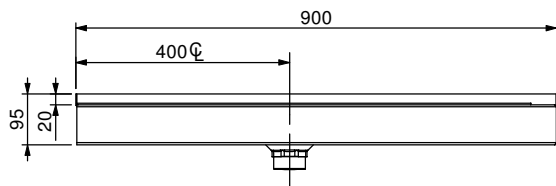
PLAN VIEW



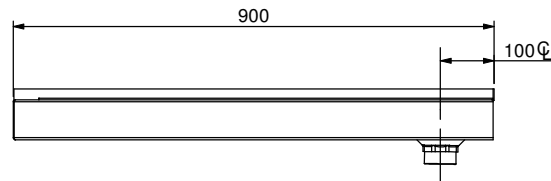
SECTION B-B



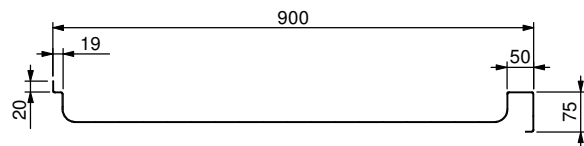
ISOMETRIC VIEW



FRONT VIEW



END VIEW



SECTION A-A

MATERIAL : 1.5 304 NO4 S/S



**STODDART
MANUFACTURING**
TOM STODDART Pty Ltd ACN 009 690 251
149 Jackson Rd Sunnybank Hills Qld 4109
PO Box 420 Sunnybank Qld 4109
Phone (617) 3345 5011 Fax (617) 3344 1000
Email sunnybank@stoddart.com.au
Quality in stainless steel

				PART No: SPPL-ST-900-900-T-2TE Rev A	
DRAWN	NAME	SIGNATURE	DATE	UNLESS OTHERWISE SPECIFIED: DIMENSIONS ARE IN MILLIMETERS	
APP'VD				DESCRIPTION: General Drawing	
Weight: Surface Area:				MATERIAL:	DWG No: SPPL-ST-900-900-T-2TE Rev A
DO NOT SCALE DRAWING				THICKNESS: FINISH:	
This drawing remains the property of Tom Stoddart Pty Ltd & cannot be reproduced without prior permission.				A3	Sheet 1 of 3