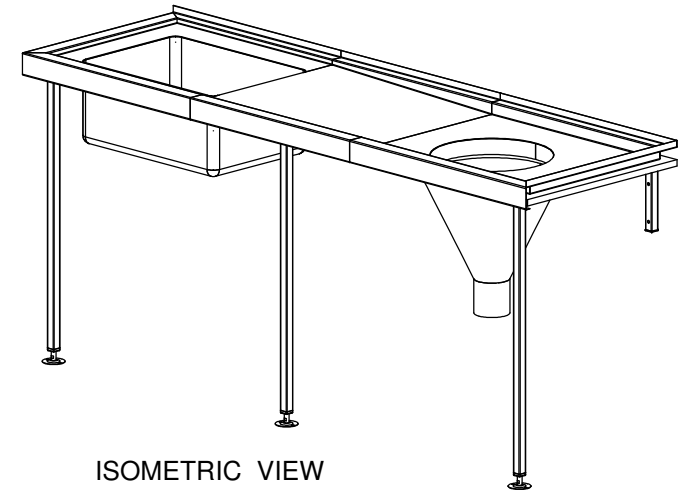
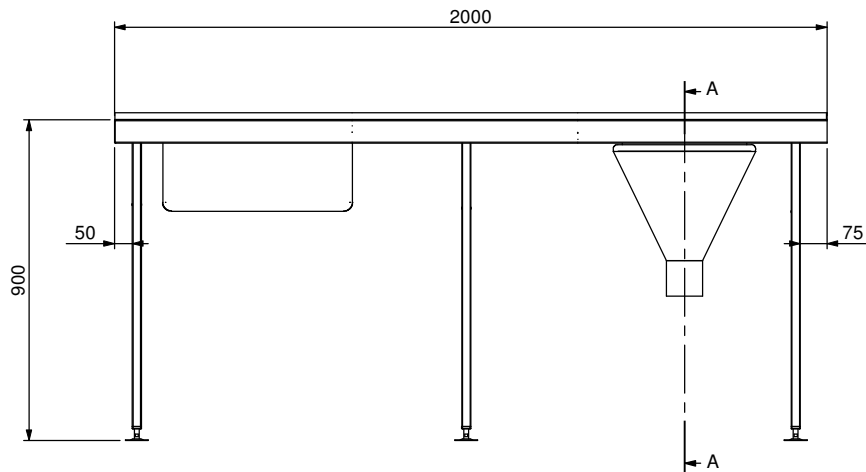


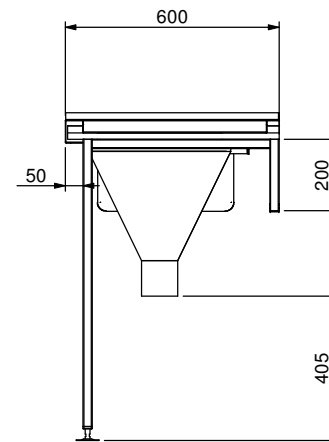
PLAN VIEW



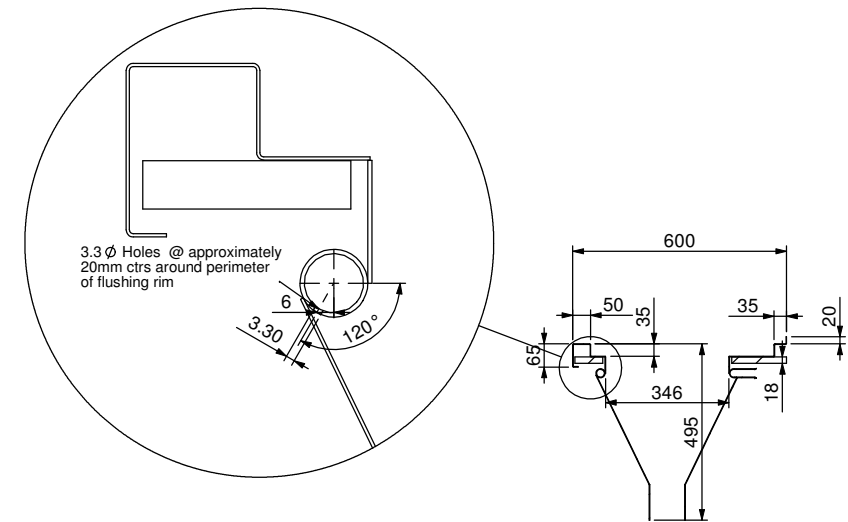
ISOMETRIC VIEW



FRONT VIEW



END VIEW



DETAIL B
SCALE 1 : 2

SECTION A-A



**STODDART
MANUFACTURING**
TOM STODDART Pty Ltd ACN 009 690 251
149 Jackson Rd Sunnybank Hills Qld 4109
PO Box 420 Sunnybank Qld 4109
Phone (617) 3345 5011 Fax (617) 3344 1000
Email sunnybank@stoddart.com.au
Quality in stainless steel

				PART No: SPPL-FR-SBR-R-2000-VAR Rev A	
DRAWN	NAME	SIGNATURE	DATE	UNLESS OTHERWISE SPECIFIED: DIMENSIONS ARE IN MILLIMETERS	DESCRIPTION:
APPVD			7/04/2010		
Weight:			MATERIAL:		DWG No: SPPL-FR-SBR-R-2000-VAR Rev A
Surface Area:			THICKNESS:		
DO NOT SCALE DRAWING		This drawing remains the property of Tom Stoddart Pty Ltd & cannot be reproduced without prior permission.			A3
					Sheet 1 of 20