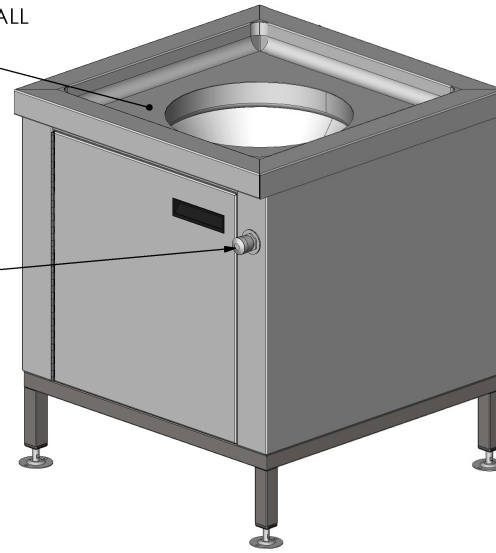


TOP VIEW

4 POINT CROSS BREAK FALL TO DECK

PUSH BUTTON VALVE OR A HIGH FLOW QUARTER TURN BALL VALVE

Ø38 S/S TUBE FLUSH RING INLET PIPE WITH ONE END FLATTENED TO SUIT Ø25 FLUSH RING

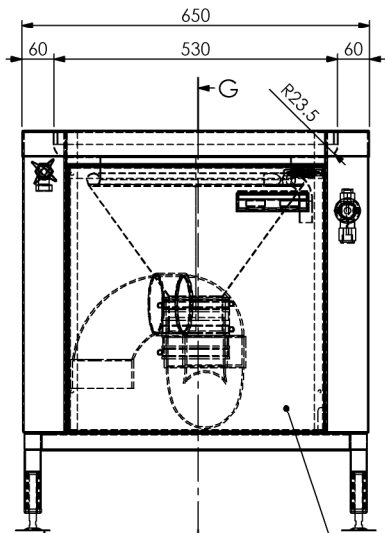


ISOMETRIC FRONT VIEW

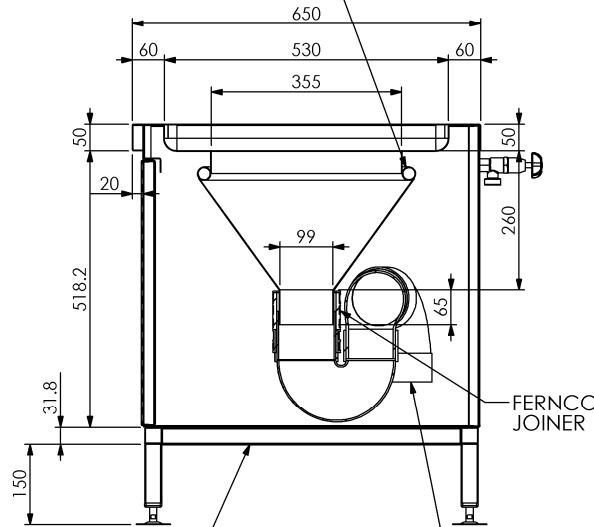


ISOMETRIC REAR VIEW

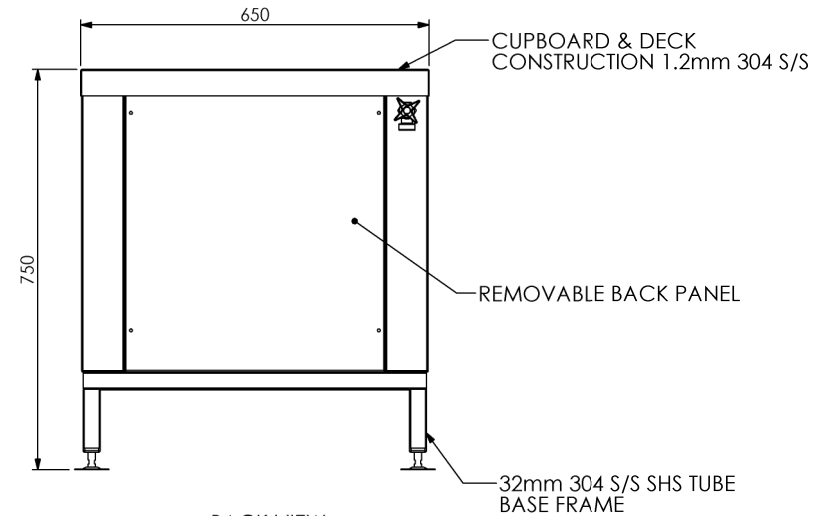
Ø25 S/S FLUSH RING WITH Ø3.3mm HOLES @ 17.5mm CENTRES



FRONT VIEW



SECTION G-G



BACK VIEW

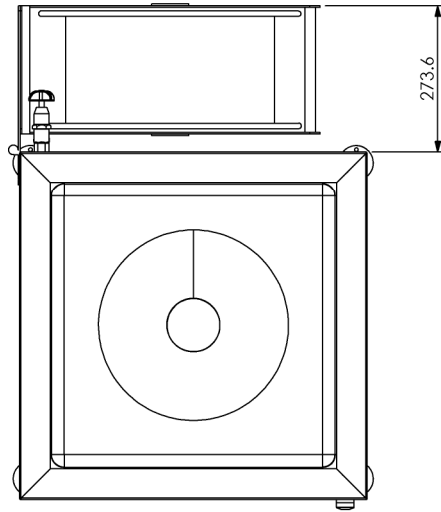
FULLY SEALED BASE PANEL TO CUPBOARD



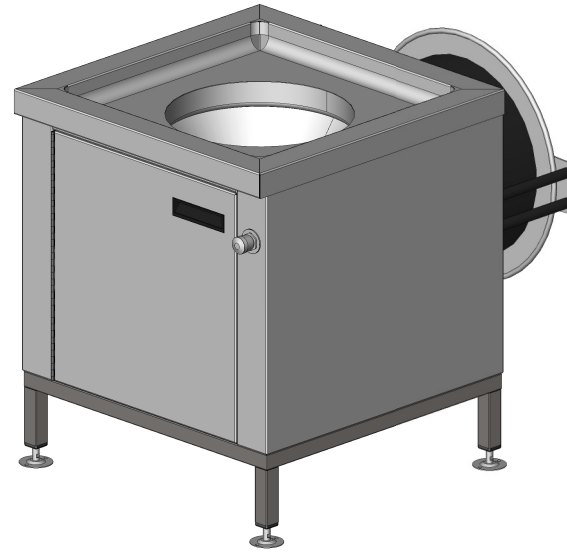
STODDART
MANUFACTURING
 TOM STODDART Pty Ltd ACN 009 690 251
 149 Jackson Rd Sunnybank Hills Qld 4109
 PO Box 420 Sunnybank Qld 4109
 Phone (617) 3345 5011 Fax (617) 3344 1000
 Email sunnybank@stoddart.com.au
Quality in stainless steel

PART No: SPPL-FR-IC-1-a001 Rev A			
NAME	SIGNATURE	DATE	UNLESS OTHERWISE SPECIFIED: DIMENSIONS ARE IN MILLIMETERS
DRAWN S Ellis		7/04/2010	DESCRIPTION: Flushing Rim Sink Island Bench
APP'VD			
Weight:		MATERIAL:	DWG No: SPPL-FR-IC-1-d001 Rev A
Surface Area:		THICKNESS:	
DO NOT SCALE DRAWING	This drawing remains the property of Tom Stoddart Pty Ltd & cannot be reproduced without prior permission.		A3
Sheet 1 of 19			Dwg. Issue 1

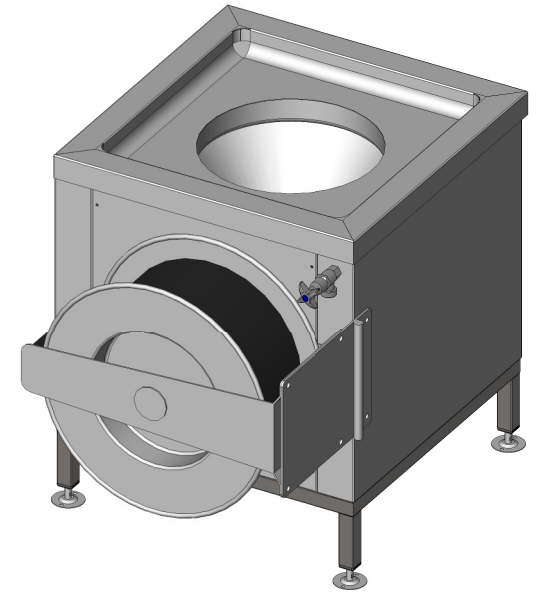
SHOWN WITH HOSE REEL TO REAR



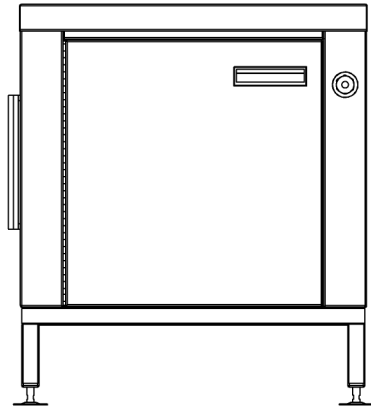
TOP VIEW



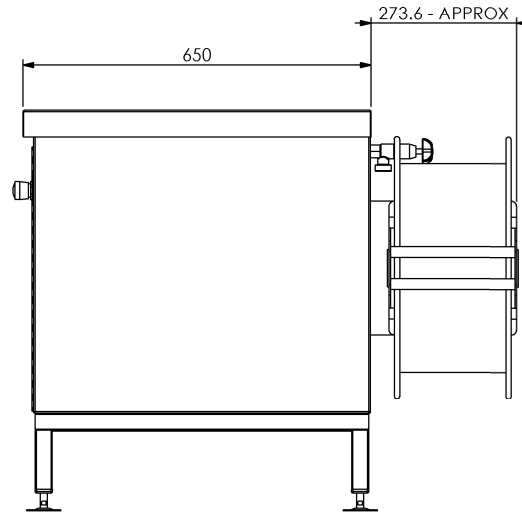
ISOMETRIC FRONT VIEW



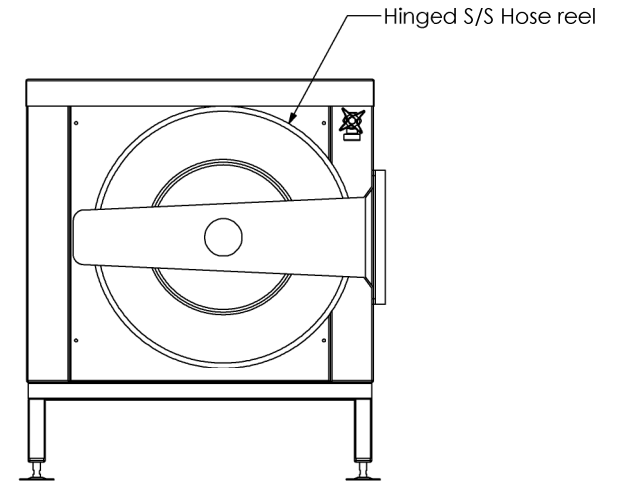
ISOMETRIC REAR VIEW



FRONT VIEW



SIDE VIEW



BACK VIEW



**STODDART
MANUFACTURING**
TOM STODDART Pty Ltd ACN 009 690 251
149 Jackson Rd Sunnybank Hills Qld 4109
PO Box 420 Sunnybank Qld 4109
Phone (617) 3345 5011 Fax (617) 3344 1000
Email sunnybank@stoddart.com.au
Quality in stainless steel

				PART No: SPPL-FR-IC-1-a001 Rev A	
DRAWN	NAME	SIGNATURE	DATE	UNLESS OTHERWISE SPECIFIED: DIMENSIONS ARE IN MILLIMETERS	
APP'VD	S Ellis		7/04/2010	DESCRIPTION: Flushing Rim Sink Island Bench	
Weight: Surface Area:			MATERIAL: THICKNESS: FINISH:		DWG No: SPPL-FR-IC-1-d001 Rev A
DO NOT SCALE DRAWING		This drawing remains the property of Tom Stoddart Pty Ltd & cannot be reproduced without prior permission.			A3
					Dwg. Issue 1
					Sheet 2 of 19