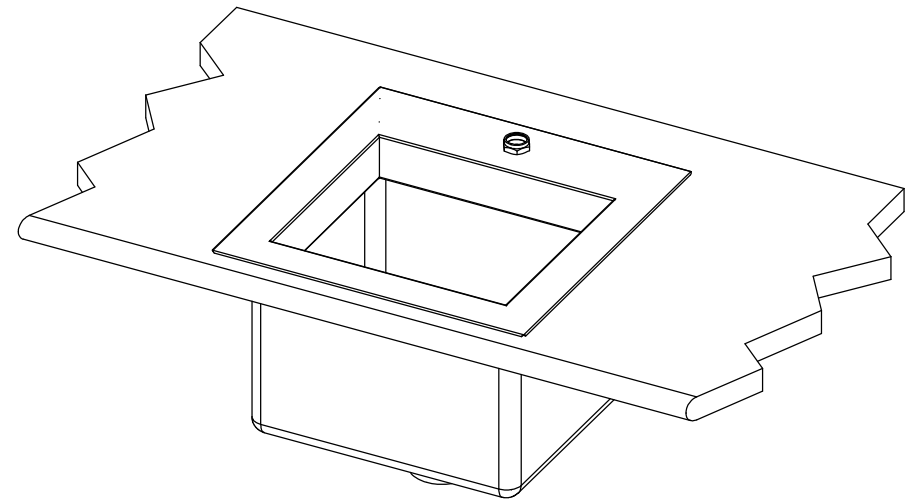


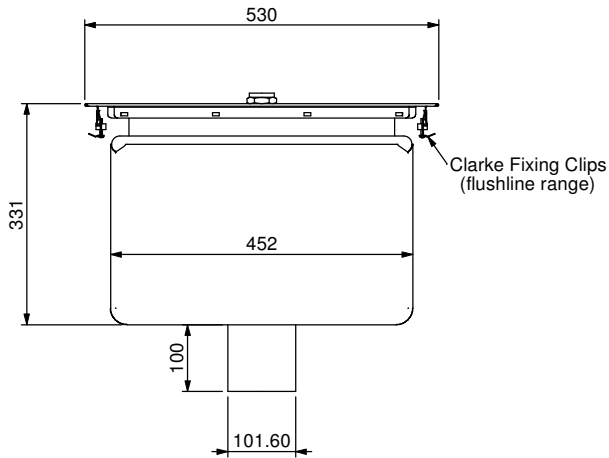
PLAN VIEW

**Product Details**

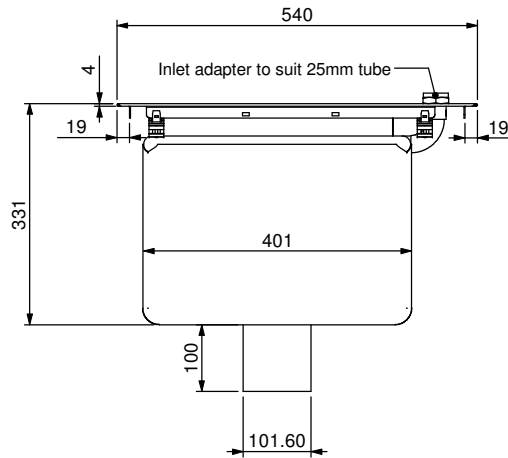
Waste : 101.6  $\phi$  mm S/S Tube  
 Water Connection : 25.4  $\phi$  mm S/S Tube



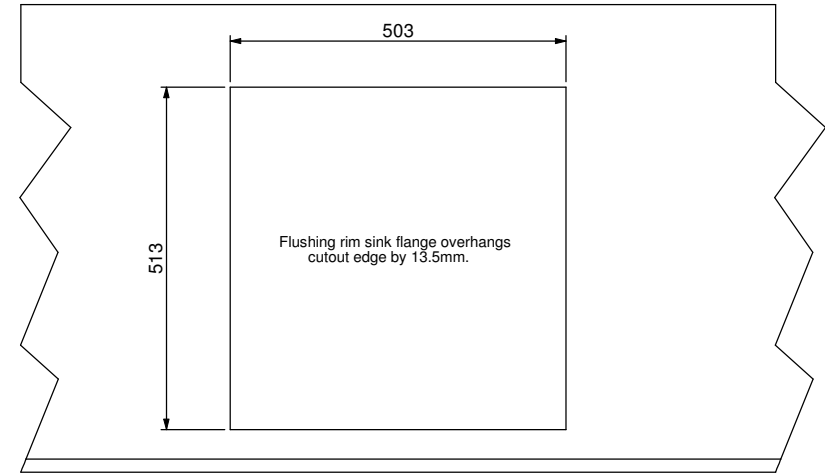
ISOMETRIC VIEW  
 (Flushing rim sink in benchtop)



FRONT VIEW



END VIEW



BENCHTOP CUTOUT SIZE

REVISION TABLE			
REV.	REVISED BY	DATE	REVISION DESCRIPTION
A		06/03/2008	
B	J Pickels	14/04/2011	Parts 001 & 003 changed.

**STODDART MANUFACTURING**  
 TOM STODDART Pty Ltd ACN 009 690 251  
 149 Jackson Rd Sunnybank Hills Qld 4109  
 PO Box 420 Sunnybank Qld 4109  
 Phone (617) 3345 5011 Fax (617) 3344 1000  
 Email sunnybank@stoddart.com.au  
*Quality in stainless steel*

DRAWN: J Pickels				NAME: SIGNATURE: DATE: 6/03/2008		UNLESS OTHERWISE SPECIFIED: DIMENSIONS ARE IN MILLIMETERS		PART No: <b>SPPL-FR-DI-T Rev B</b>			
APPVD:				MATERIAL:		THICKNESS:		DESCRIPTION: Flushing Rim Sink - Drop In - Top Entry			
Weight: 10.93 kg Surface Area: 2.29 M2				FINISH:		DWG No: <b>SPPL-FR-DI-T Rev B</b>		Dwg. Issue <b>1</b>			
DO NOT SCALE DRAWING				This drawing remains the property of Tom Stoddart Pty Ltd & cannot be reproduced without prior permission.				A3		Sheet 1 of 14	