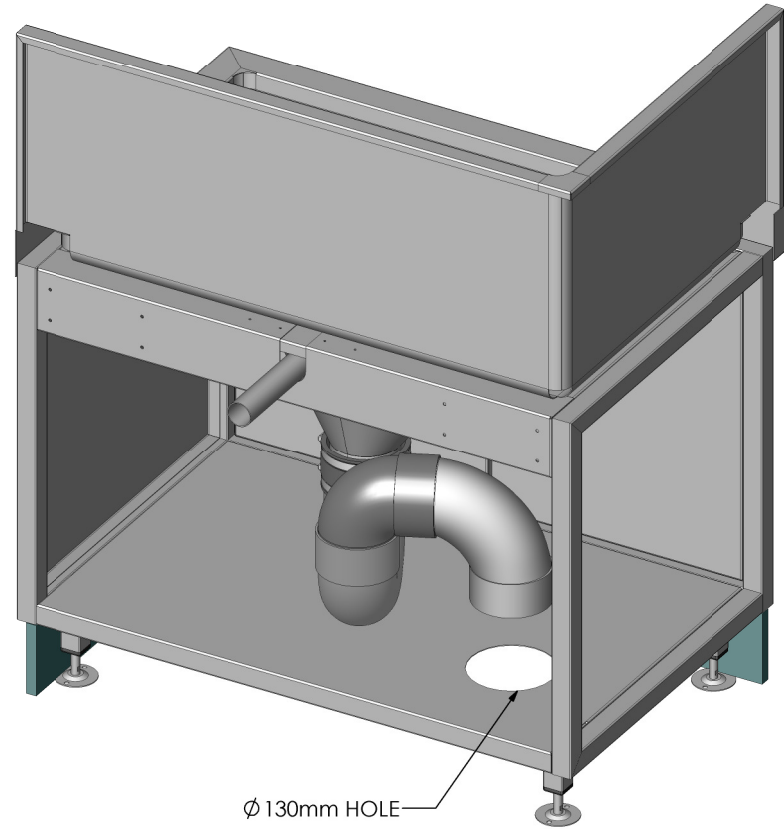


ISOMETRIC FRONT VIEW



ISOMETRIC REAR VIEW



**STODDART
MANUFACTURING**

TOM STODDART Pty Ltd ACN 009 690 251
149 Jackson Rd Sunnybank Hills Qld 4109
PO Box 420 Sunnybank Qld 4109
Phone (617) 3345 5011 Fax (617) 3344 1000
Email sunnybank@stoddart.com.au
Quality in stainless steel

				PART No: SPPL-FR-C-C-900-600-1-a001 Rev B		
DRAWN	NAME	SIGNATURE	DATE	UNLESS OTHERWISE SPECIFIED: DIMENSIONS ARE IN MILLIMETERS		
S Ellis			7/04/2010	DESCRIPTION: Flushing Rim Sink Bench 900 x 600mm		
APP'VD				MATERIAL:	DWG No: SPPL-FR-C-C-900-600-1-d001 Rev B	
Weight:				THICKNESS:	Dwg. Issue	
Surface Area:				FINISH:	1	
DO NOT SCALE DRAWING		This drawing remains the property of Tom Stoddart Pty Ltd & cannot be reproduced without prior permission.			A3	Sheet 2 of 25