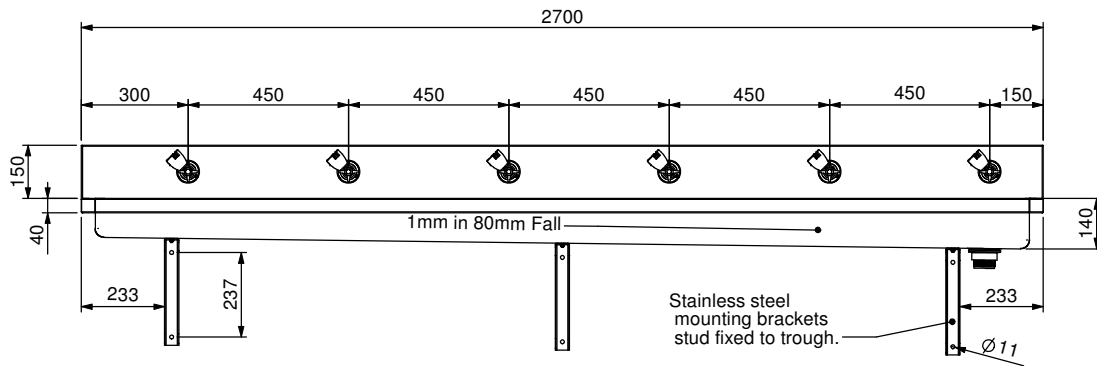
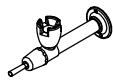
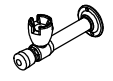

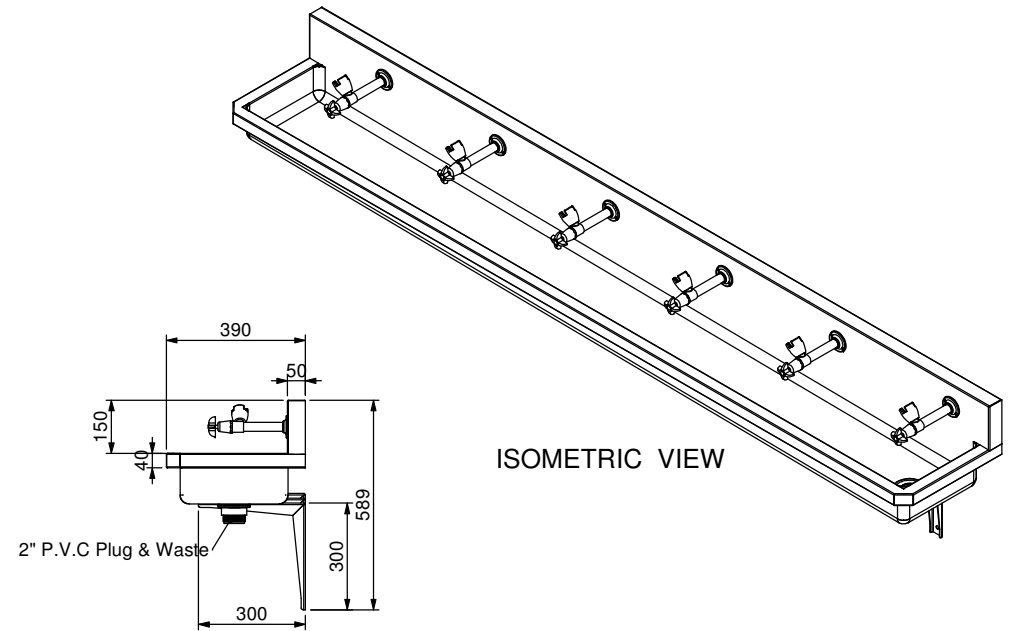


PLAN VIEW



FRONT VIEW

	If ordering trough and lever bubblers are required : order no. is  SPPL.DT.S7.R.L.2700	Tick box if required <input type="checkbox"/>
	If ordering trough and push bubblers are required : order no. is  SPPL.DT.S7.R.P.2700	Tick box if required <input type="checkbox"/>
 Shown	If ordering trough and cam bubblers are required : order no. is  SPPL.DT.S7.R.C.2700	Tick box if required <input type="checkbox"/>



ISOMETRIC VIEW

2" P.V.C Plug & Waste

END VIEW

**R/H WASTE SHOWN**

L/H WASTE & CENTRE WASTE AVAILABLE

**STODDART**  
Manufacturing  
TOM STODDART Pty Ltd ACN 009 690 251  
215 Jackson Rd Sunnybank Hills Qld 4109  
PO Box 420 Sunnybank Qld 4109  
Phone (617) 3345 5011 Fax (617) 3344 1000  
Email sunnybank@stoddart.com.au  
*Quality in stainless steel*

Press:		Programmed by:		Date:	Punch:	Die:	
PRODUCT: Drinking Trough S7 with Plumbing & Bubblers							
PART No: <b>SPPL-DT-S7-R-(C-L-P)-2700 Rev A</b>							
DESCRIPTION: General Drawing							
DRAWN: J Pickels		SIGNATURE:		DATE: 14/04/2010		UNLESS OTHERWISE SPECIFIED: DIMENSIONS ARE IN MILLIMETERS	
APPVD:		MATERIAL:		THICKNESS:		REVISION	
		FINISH:		DWG No: <b>SPPL-DT-S7-R-(C-L-P)-2700 Rev A</b>		<b>A</b>	
DO NOT SCALE DRAWING		This drawing remains the property of Tom Stoddart Pty Ltd & cannot be reproduced without prior permission.				A3	Sheet 1 of 1