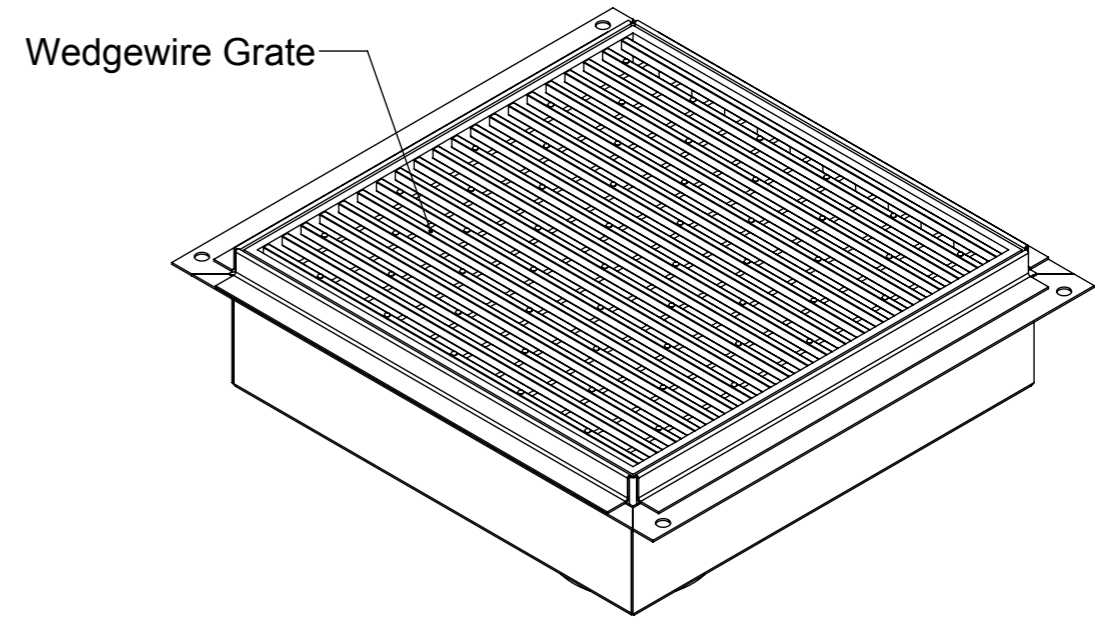
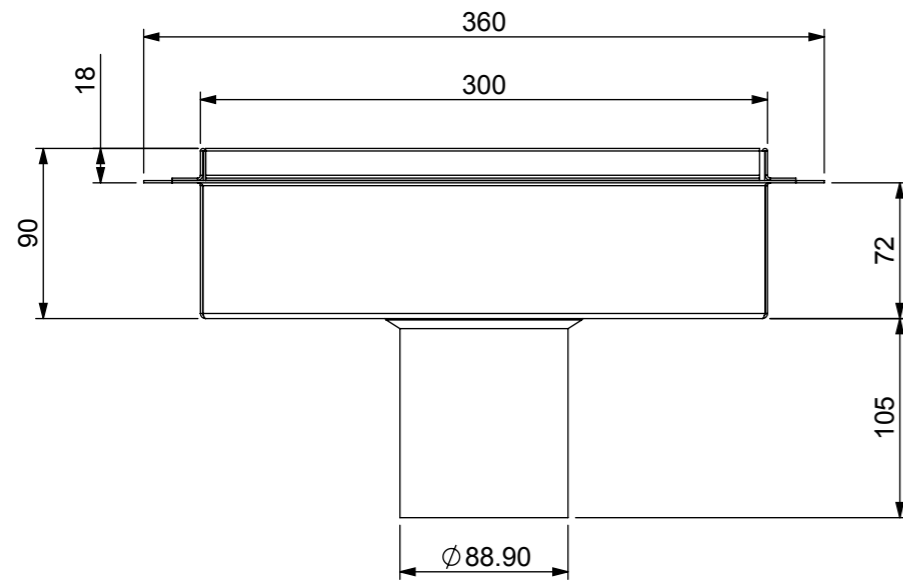


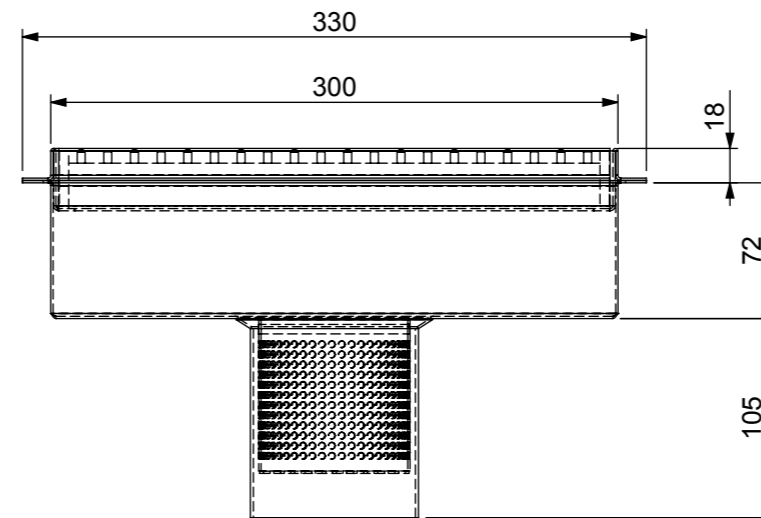
PLAN VIEW



ISOMETRIC VIEW



FRONT VIEW



END VIEW

Press:	Programmed by:	Date:	Punch:	Die:



STODDART
Manufacturing
 TOM STODDART Pty Ltd ACN 009 690 251
 215 Jackson Rd Sunnybank Hills Qld 4109
 PO Box 420 Sunnybank Qld 4109
 Phone (617) 3345 5011 Fax (617) 3344 1000
 Email sunnybank@stoddart.com.au
Quality in stainless steel

PRODUCT: Stainless Steel Floor Waste				PART No: FW 300 x 300 x 100-a001b	
NAME	SIGNATURE	DATE	UNLESS OTHERWISE SPECIFIED: DIMENSIONS ARE IN MILLIMETERS	DESCRIPTION: General Drawing	
DRAWN	J Pickels	18/08/2008		DWG No: FW 300 x 300 x 100-d001b	
APPVD			MATERIAL:	REVISION	
Weight:			THICKNESS:	B	
Surface Area:			FINISH:		
DO NOT SCALE DRAWING			This drawing remains the property of Tom Stoddart Pty Ltd & cannot be reproduced without prior permission.		A3
					Sheet 1 of 11

REV.	NAME	DATE	DESCRIPTION
B	J Pickels	29/10/2009	Overall height increased by 5mm
A	J Pickels	18/08/2008	For Manufacture